

This Page Is Inserted by IFW Operations
and is not a part of the Official Record

BEST AVAILABLE IMAGES

Defective images within this document are accurate representations of the original documents submitted by the applicant.

Defects in the images may include (but are not limited to):

- BLACK BORDERS
- TEXT CUT OFF AT TOP, BOTTOM OR SIDES
- FADED TEXT
- ILLEGIBLE TEXT
- SKEWED/SLANTED IMAGES
- COLORED PHOTOS
- BLACK OR VERY BLACK AND WHITE DARK PHOTOS
- GRAY SCALE DOCUMENTS

IMAGES ARE BEST AVAILABLE COPY.

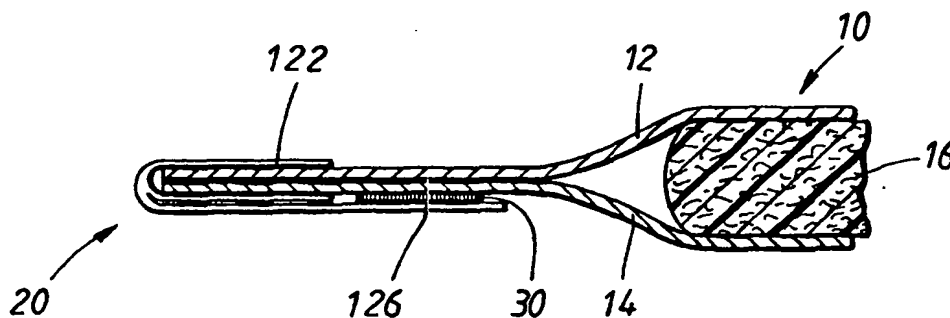
**As rescanning documents *will not* correct images,
please do not report the images to the
Image Problem Mailbox.**



INTERNATIONAL APPLICATION PUBLISHED UNDER THE PATENT COOPERATION TREATY (PCT)

(51) International Patent Classification ⁶ : A61F 13/62	A1	(11) International Publication Number: WO 98/15248 (43) International Publication Date: 16 April 1998 (16.04.98)
<p>(21) International Application Number: PCT/SE97/01622</p> <p>(22) International Filing Date: 26 September 1997 (26.09.97)</p> <p>(30) Priority Data: 9603639-7 7 October 1996 (07.10.96) SE</p> <p>(71) Applicant (for all designated States except US): SCA MÖLNLYCKE AB [SE/SE]; S-405 03 Göteborg (SE).</p> <p>(72) Inventors; and (75) Inventors/Applicants (for US only): LINDQVIST, Bengt [SE/SE]; Landshövdingegatan 45, S-431 38 Mölndal (SE). PFEIFER, Roland [FR/FR]; 78, Domaine de la Vigne, F-59910 Bondues (FR).</p> <p>(74) Agents: GRAUDUMS, Valdis et al.; Albihn West AB, P.O. Box 142, S-401 22 Göteborg (SE).</p>	<p>(81) Designated States: CZ, JP, KR, MX, PL, RU, SK, US, European patent (AT, BE, CH, DE, DK, ES, FI, FR, GB, GR, IE, IT, LU, MC, NL, PT, SE).</p> <p>Published With international search report.</p>	

(54) Title: METHOD, APPARATUS AND ARTICLE RELATING TO A HOOK AND LOOP FASTENING SYSTEM



(57) Abstract

A method of maintaining a fastening tab (20) of a hook and loop fastener system in a storage position on an article, such as a disposable diaper (10). The fastening tab (20) has a first end portion (122) for permanent attachment to the article and a distal end portion (126) provided with projecting hook members (30). The distal end portion (126), in a ready position of the fastening tab, stands free from the article. The distal end portion, in the storage position, contacts a surface of the article. The method includes the steps of attaching the first end portion (122) of the fastening tab (20) to the article, and folding the distal end portion (126) of the fastening tab over the first end portion (122) of the tab such that the hook members (30) contact the surface of the article. In order to improve the contact between the hook members and the article, the hook members (30) of the distal end portion (126) of the fastening tab and the surface of the article are subjected to a relative displacement in a direction substantially parallel to the surface of the article. The invention further discloses apparatus for carrying out the method, as well as a diaper.

FOR THE PURPOSES OF INFORMATION ONLY

Codes used to identify States party to the PCT on the front pages of pamphlets publishing international applications under the PCT.

AL	Albania	ES	Spain	LS	Lesotho	SI	Slovenia
AM	Armenia	FI	Finland	LT	Lithuania	SK	Slovakia
AT	Austria	FR	France	LU	Luxembourg	SN	Senegal
AU	Australia	GA	Gabon	LV	Latvia	SZ	Swaziland
AZ	Azerbaijan	GB	United Kingdom	MC	Monaco	TD	Chad
BA	Bosnia and Herzegovina	GE	Georgia	MD	Republic of Moldova	TG	Togo
BB	Barbados	GH	Ghana	MG	Madagascar	TJ	Tajikistan
BE	Belgium	GN	Guinea	MK	The former Yugoslav Republic of Macedonia	TM	Turkmenistan
BF	Burkina Faso	GR	Greece	ML	Mali	TR	Turkey
BG	Bulgaria	HU	Hungary	MN	Mongolia	TT	Trinidad and Tobago
BJ	Benin	IE	Ireland	MR	Mauritania	UA	Ukraine
BR	Brazil	IL	Israel	MW	Malawi	UG	Uganda
BY	Belarus	IS	Iceland	MX	Mexico	US	United States of America
CA	Canada	IT	Italy	NE	Niger	UZ	Uzbekistan
CF	Central African Republic	JP	Japan	NL	Netherlands	VN	Viet Nam
CG	Congo	KE	Kenya	NO	Norway	YU	Yugoslavia
CH	Switzerland	KG	Kyrgyzstan	NZ	New Zealand	ZW	Zimbabwe
CI	Côte d'Ivoire	KP	Democratic People's Republic of Korea	PL	Poland		
CM	Cameroon	KR	Republic of Korea	PT	Portugal		
CN	China	KZ	Kazakistan	RO	Romania		
CU	Cuba	LC	Saint Lucia	RU	Russian Federation		
CZ	Czech Republic	LI	Liechtenstein	SD	Sudan		
DE	Germany	LK	Sri Lanka	SE	Sweden		
DK	Denmark	LR	Liberia	SG	Singapore		
EE	Estonia						

5

TITLE: Method, apparatus and article relating to a hook and loop fastening system

TECHNICAL FIELD:

10

The present invention relates to a method of maintaining a fastening member of a hook and loop fastener system in a storage position on an article, such as a disposable diaper, according to the preamble of claim 1. The invention further relates to apparatus according to the preamble of claim 12 for carrying out the method. The invention also relates to a diaper according to the preamble of claim 18.

15

BACKGROUND OF THE INVENTION:

20

Various fastener systems have been employed on inexpensive or disposable articles such as diapers, including lengths of pressure-sensitive adhesive coated tape, snaps, and hook and loop fasteners. Due in part to the susceptibility of adhesive coated tape to contamination by e.g. talcum powder or baby oil, diapers equipped with hook and loop fastener systems now occupy a growing share of the market.

25

30

Different types of hook and loop fastener systems are known. In this respect, reference is made to EP-A-0 491 347, EP-A-0 324 578 and EP-A-0 276 970. Common to these systems is the provision of a fastening tab normally attached to a first waist portion of a diaper, the fastening tab being provided with a region of hook material, and a receiving zone normally on a second waist portion of the diaper, the receiving zone having a plurality of loops to be engaged by the hooks. The fastening tab is commonly a flexible elongate rectangular strip of polymeric material, a first end portion of which is attached to the diaper. The region of hook material is located at a distal end portion of the tab and this distal end portion of the tab extends beyond the edge of the

35

40

diaper to allow the first waist portion of the diaper to be placed around a wearer and secured to the second waist portion to thereby maintain the diaper in place on the wearer.

5

A disposable diaper generally comprises a liquid impermeable backsheet, a liquid permeable topsheet, and an absorbent core sandwiched between the topsheet and backsheet. For improved fit and comfort, disposable diapers may also have elasticated leg cuffs and elasticated waist portions. The production process for disposable diapers is highly automated, with constituent materials being supplied to the production line and finished products leaving the production line already packaged for delivery to the consumer. As with all production line processes, faulty batches and stoppages must be avoided.

Hook and loop fastener systems are applied to partially completed diapers as the diapers proceed along the production line. In order to prevent the fastening tabs of the hook and loop fastener system from fouling machinery as the diapers proceed along the production line, it is important that the tabs be maintained in a storage position in which the distal end portion of the tab is folded over the first end portion to thereby preferably contact the topsheet of the diaper. This storage position should be maintained throughout the passage of the diaper along the production line so that the diaper is folded and packaged with the tabs in the storage position. In this manner, when the consumer opens the package, he/she is presented with neatly folded diapers with no visibly protruding tabs.

Although many diapers nowadays have topsheets made from nonwoven material which, to a certain extent, presents loops with which the hooks of the fastening tabs can engage when the tab is folded over to its stored position, the

35

strength of the engagement has sometimes been found to be insufficient to guarantee that the tabs will maintain this storage position during the passage of the diaper along the production line. As a consequence, due to their resilience, the tabs may spring open and snag in machinery of the production line, thereby possibly resulting in production stoppage and/or waste due to the occurrence of faulty products.

10 In the above-mentioned EP-A-0 324 578, this problem is partially solved by providing a tab with a layer of pressure sensitive adhesive along its central portion such that the central portion of the tab can adhere to the portion of the tab which is permanently attached to the diaper when the tab is in a storage position.

15 A further conceivable solution to this problem could be to provide the topsheet of the diaper with a patch of loop material adjacent the first end portion of the tab such that the distal end portion of the tab carrying the hooks could engage the patch of loop material in the storage position. Such a solution would however imply higher costs due to the need for additional loop material.

25 SUMMARY OF THE INVENTION:

It is therefore an object of the present invention to provide an alternative method of maintaining a fastening tab or member of a hook and loop fastener system in a storage position, which method avoids the drawbacks associated with other methods.

This object is achieved in accordance with the present invention by the method according to claim 1.

35 Since the claimed method ensures improved engagement between the surface of the article and the hook members,

existing components of the diaper can be utilized for this purpose without the need for additional means such as adhesive or extra loop material.

- 5 It is a further object to provide apparatus for carrying out the method according to the invention.

This object is achieved by the apparatus according to claim 12.

10

It is yet another object of the invention to provide a diaper which displays improved properties with regard to maintenance of the storage position of its fastening members.

15

This object is achieved by the diaper according to claim 18.

20

Preferred embodiments of the method and apparatus are detailed in the respective dependent claims.

BRIEF DESCRIPTION OF THE DRAWINGS:

25

The invention will be described in greater detail in the following, by way of example only and with reference to the attached drawings in which:

30

Fig. 1 is a schematic perspective view of a diaper provided with a first embodiment of a hook and loop fastener system;

Fig. 2 is a schematic cross-sectional view along line II-II of Fig. 1;

35

Fig. 3 is a view corresponding to Fig. 2, though with the fastening member in a storage position;

- Fig. 4 is a schematic perspective view of a diaper provided with a second embodiment of a hook and loop fastener system;
- 5 Fig. 5 is a schematic cross-sectional view along line V-V of Fig. 4;
- Fig. 6 is a view corresponding to Fig. 5, though with the fastening member in a storage position;
- 10 Fig. 7 is a schematic block diagram of a diaper production line incorporating the method according to the present invention;
- 15 Fig. 8A is a schematic end view of equipment for carrying out the method according to the present invention;
- 20 Fig. 8B is a schematic side elevation of the equipment of Fig. 8A;
- Fig. 9 is a view corresponding to Fig. 8A, though on a larger scale, showing the passage of the diaper of Fig. 4 through the equipment of Figs. 8A and
- 25 8B;
- Fig. 10A is a schematic end view of the second portion of a fastening member before being subjected to the method according to the present invention;
- 30 Fig. 10B is a schematic end view of the second portion of a fastening member being subjected to the method according to the present invention;
- 35 Fig. 11 is a schematic sectional view of the fastening member in its storage position;

Figs. 12A to 12J schematically illustrate various possible shapes of rollers for use in the method according to the present invention;

5 Fig. 13 is a schematic side elevation of a production line incorporating equipment for carrying out the method according to the present invention;

Fig. 14 is a plan view of the equipment shown in Fig. 13;

10

Fig. 15 is a schematic cross-sectional view along line XV-XV of Fig. 13;

15

Fig. 16 is a schematic cross-sectional view along line XVI-XVI of Fig. 13;

Fig. 17 is a schematic elevational view of an alternative apparatus for carrying out the method;

20

Fig. 18 is a cross-sectional view along line XVIII-XVIII of Fig. 17;

Fig. 19 is a schematic elevational view of an alternative apparatus for carrying out the method;

25

Fig. 20 is a schematic end view of the apparatus according to Fig. 19;

30

Fig. 21 is a schematic elevational view of further alternative apparatus for carrying out the method, and

Fig. 22 is a schematic cross-sectional view along line XXII-XXII of Fig. 21.

35

DETAILED DESCRIPTION OF PREFERRED EMBODIMENTS:

Although in the following the method according to the present invention will be described in relation to disposable diapers, it is to be understood that the claimed method may be practised on any article which is provided with a hook and loop fastening system. More particularly, the method is eminently suitable for use with disposable articles such as winged sanitary napkins having hook and loop fasteners on the wings, adult incontinence garments and openable-and-reclosable pant diapers.

Referring to Figs. 1 to 3, a diaper is shown generally designated by reference numeral 10. The diaper 10 generally comprises a liquid impermeable backsheet 12, a liquid permeable topsheet 14 and an absorbent core 16 therebetween. The diaper may also incorporate leg elastic 18 disposed along side margins of the diaper. The materials of the constituents of the diaper may be any which are commonly used in this field. For example, the backsheet 12 may be a polyethylene film, whilst the topsheet may be manufactured from a wide range of materials, such as natural fibres, synthetic fibres or a combination thereof. Important is only that the material of the topsheet displays fibres which may be engaged by hooks of a hook and loop fastener system. A material which is well suited for this purpose is spunbond polypropylene nonwoven fabric, though the actual choice of material will be dependent on the type and configuration of the hook members 20 employed in the hook and loop fastener system.

30

A first embodiment of a typical hook and loop fastener system which may be used in the method according to the present invention includes a pair of polymeric fastening members, generally denoted by reference numeral 20, having a first surface or portion 22 attached to a first waist portion 24 of the diaper 10. As is most clearly shown in

35

Fig. 2, each member 20 has a second surface or portion 26 from which a plurality of hook members 30 project. The hook members 30 are adapted to engage with a loop fastener portion 32 positioned on the outer surface of the backsheet 12 in a second waist portion 34 of the diaper. Typically, in use, the second waist portion 34 of the diaper rests against the abdomen of the wearer, whilst the first waist portion 24 extends over the wearer's back. Naturally, should the outer surface of the backsheet be such that it permits the hook members 30 to engage therewith with sufficient retention force, then there is no need to provide the diaper with additional loop fastener portions 32.

The hook members 30 can be of any suitable material and have any size, shape and distribution density which will allow secure fastening of the fastening tabs to the loop fastener portions 32. For example, the hook members can be made of nylon material in hook- or mushroom-shaped form. A suitable hook fastener is that sold by 3MTM under the identification code CS200.

As shown in Figs. 2 and 3, the first portion 22 of the fastening member 20 is permanently attached to the topsheet 14 of the diaper, for example by a suitable adhesive or weld.

In Fig. 3 the fastening member 20 is shown in a storage position, i.e. that position which is desired to be adopted when the diaper 10 passes along the production line and which the fastening member retains when the diaper is packaged. In the storage position, a region of the topsheet 14 containing the fastener member 20 is folded over on itself so that the hook members 30 projecting from the second portion 26 of the fastening member contact the outer surface of the topsheet 14.

In accordance with the present invention, once the hook members of the fastening member have come into contact with the outer surface of the topsheet 14, the hook members of the second portion and the surface of the topsheet are caused to effect a relative displacement in a direction substantially parallel to the surface of the topsheet. It has surprisingly been found that by subjecting these parts to a relative displacement, a significantly increased retention force between the hook members 30 and the outer surface of the topsheet 14 is obtained compared to the retention force obtained when no relative displacement takes place. In this respect, the expression "retention force" includes peel resistance and the shear stress resistance. A desirable value of the retention force is one which is capable of maintaining the fastening member 20 in its storage position during passage of the article along the production line and during packaging of the article, though which is not necessarily as high as the retention force between the hook and loop components of a conventional hook and loop fastener.

Without being bound to any specific theory or mechanism, it is believed that the relative displacement of the hook members and the surface of the article in a direction substantially parallel to the surface of the article causes the hook members to "jiggle" between the fibres and loops of the surface material and become snagged thereon.

Before describing apparatus suitable for performing the method according to the present invention, a second embodiment of a fastener system for use on an article will be described with reference to Figs. 4 to 6. In these drawings, parts corresponding to like parts in Figs. 1 to 3 are denoted by like reference numerals.

35

Thus, the hook and loop fastener system of the second embodiment which may be used in the method according to the present invention includes a pair of fastening members, generally denoted by reference numeral 20, in the form of flexible elongate rectangular polymeric fastening tabs made for example from a nonwoven material. Each tab has a first portion in the form of a first end portion 122 attached to a first waist portion 24 of the diaper 10. As is most clearly shown in Fig. 5, each tab 20 has a second portion in the form of a distal end portion 126 which, when the diaper is in a ready position, i.e. a position immediately prior to being attached to a wearer, extends beyond the edge of the diaper. The distal end portion 126 of the tab carries a backing 28 from which a plurality of hook members 30 project. As with the diaper according to Fig. 1, the hook members 30 are adapted to engage with a loop fastener portion 32 positioned on the outer surface of the backsheet 12 in a second waist portion 34 of the diaper. Naturally, should the outer surface of the backsheet be such that it permits the hook members 30 to engage therewith with sufficient retention force, then there is no need to provide the diaper with additional loop fastener portions 32.

As shown in Figs. 5 and 6, the first end portion 122 of the tab 20 may be branched into a pair of flaps 36, with one flap being adhered to the outer surface of the backsheet 12 and the other flap being adhered to the outer surface of the topsheet 14. Alternatively, the first end portion of the tab may be unitary and extend between the topsheet and the backsheet.

In Fig. 6, the fastening tab 20 is shown in a storage position, i.e. that position which is desired to be adopted when the diaper 10 passes along the production line and which the fastening tab retains when the diaper is

packaged. In the storage position, the distal end portion 126 of the tab is folded over the first end portion 122 so that the hook members 30 projecting from the backing 28 contact the outer surface of the topsheet 14. In accordance
5 with the present invention, once the hook members of the fastening tab have come into contact with the outer surface of the topsheet 14, the distal end portion 126 and the surface of the topsheet are caused to effect a relative displacement in a direction substantially parallel to the
10 surface of the topsheet.

In a further, not-shown embodiment, the invention may be practised on an openable-and-reclosable pant diaper. Such articles generally have a shape corresponding to that of
15 the diaper illustrated in Figs. 1 and 4, though with the exception that the loop fastener portion 32 forms a part of the topsheet in the second waist portion of the diaper. In other words, the loop fastener portion may be in the form of patches attached to corner regions of the second waist
20 portion or the topsheet itself may serve as such loop fastener portions. The storage position for such a pant diaper is adopted when the fastener members on the first waist portion engage the loop fastener portion or portions in the second waist portion. This storage position then
25 corresponds to the position of use of the pant diaper until the pant diaper is unfastened by separating the first waist portion from the second waist portion.

Common to all embodiments of the invention is that, once in
30 its storage position, the second portion 26, 126 of the fastening member and the surface of the article which contacts the second portion are subjected to a relative displacement in a direction substantially parallel to the surface of the article. In this respect, the expression
35 "surface of the article" means any part of the article

which is contacted by the fastening member in its storage position, including any loop fastener member.

5 Apparatus for performing the method according to the present invention is illustrated in the remaining drawings. Accordingly, Fig. 7 schematically illustrates a production line for the production of diapers. Boxes 12, 14 and 16 represent the backsheet, topsheet and absorbent core, respectively, with these constituents being fed to a first station represented by box 38 at which the topsheet and backsheet are adhered together with the absorbent core located therebetween. Thereafter, the partially finished article proceeds to a second station 40 at which the fastening members are applied. With the fastening members in their storage position as shown in Figs. 3 and 6, the partially finished article proceeds immediately to a third station 42 at which relative displacement of the second portions of the fastening members and the topsheet of the partially finished diaper is performed. Upon completion of the relative displacement, the diaper passes through a fourth station 44 at which subsequent finishing operations are performed. From the fourth station 44 a completed and packaged diaper emerges.

25 It will be apparent to the skilled person that the above-described sequence of steps may need to be varied, depending on the constituent components of the product. For example, it is conceivable that the topsheet 14 be provided with fastening members before it is adhered to the backsheet 12 and absorbent core 16. In such a case, steps 30 40 and 42 will take place before the article passes to the station 38 at which lamination takes place.

35 Means for effecting relative displacement of the distal end portions of the tabs and the surface of the article which the distal end portions contact is schematically

illustrated in Figs. 8A and 8B. Accordingly, the third station 42 (Fig. 7) may be provided with a pair of interengaging rollers, one male roller 46 and one female roller 48, for each side of the article to which fastening tabs 20 are affixed. Thus, for the articles illustrated in Figs. 1 and 4, the production line will be equipped with two pairs of rollers. In the illustrated embodiment, the male roller 46 has a circumferentially extending protrusion 50 which extends with clearance into a circumferential groove 52 on the female roller 48.

As illustrated in Fig. 9, the clearance between the protrusion 50 and the groove 52 is sufficient to allow the distal end portion 126 of the tab 20 and the laminated topsheet 14 and backsheet 12 of the diaper shown in Fig. 4 to pass therethrough. Relative displacement of the distal end portion 126 of the fastening tab 20 and the outer surface of the topsheet 14 is attained due to the hook members 30 being forced to alter their position relative to the loop material of the topsheet as the distal end portion 126 of the fastening tab 20 passes through the pair of rollers. The occurrence of relative displacement will be clearly apparent from a comparison between Figs. 10A and 10B.

In Fig. 10A, the second portion 26 of a fastening member is shown in a condition before it is subjected to the method according to the invention in which relative displacement is created. As such, the second portion 26 is generally planar and remote tips of a pair of adjacent hook members 30 provided on the second portion are separated by a certain distance y . When subjected to the method according to the present invention, and as illustrated in Fig. 10B, during displacement of the second portion 26 relative to the surface of the article, the distance between the tips of the same adjacent hook members 30 increases to a value z .

Once the fastening member has passed through the station at which relative displacement is effected, the resilience of the fastening member will cause the tips of the hook members to tend towards each other. This condition is illustrated in greater detail in Fig. 11.

Accordingly, Fig. 11 shows a fastening member 20 in its storage position in which the hook members 30 engage fibres and/or loops of a region of the outer surface of the topsheet 14. Due to the fact that the second portion 26 of the fastening member 20 has previously been subjected to bending to create a radius r in the third station 42, once the second portion leaves the third station and the diaper becomes substantially flat, the hook members 30 of the fastening member will exert compressive forces denoted by the letter F on the region of the surface of the topsheet 14 in directions substantially parallel to the surface. These compressive forces aid in increasing the retention force of the fastening member in the storage position.

The actual size and shape of the interengaging rollers is seemingly not critical. As such, various possible shapes of the interengaging surfaces 50 and 52 are shown by way of example only in Figs. 12A to 12J. It will be noted that in several of the shown embodiment, rubber 54 or similar resilient material may be placed in the groove 52 or along the protrusion 50. Preferably, the male and female rollers may have a diameter of between 20 and 200 mm, advantageously about 100 mm. The protrusion 50 on the male roller 46 may advantageously have a radial extension of about 6 mm.

A section of one embodiment of the diaper production line at the third station 42 is schematically illustrated in Figs. 13 to 16 and comprises a pair of interengaging rollers 46, 48 positioned in a mid portion of a guide

groove 56 in a table 58 of the production line. The guide groove 56 commences at the upstream side of the pair of rollers 46, 48 and becomes gradually wider and deeper until it reaches the vicinity of the pair of rollers, at which point the table 58 is provided with a through opening 60 within which the pair of rollers interengage. Downstream of the pair of rollers, the shape of the guide groove 56 is a mirror image of the upstream shape. The guide groove 56 serves to guide the second portion of the fastening tab and the portion of the laminate of material in contact with the hook members in a properly aligned manner towards and through the pair of rollers 46, 48. The gradual tapering of the downstream portion of the guide groove 56 serves to ensure that the fastening member remains in its storage position once it has passed through the pair of rollers 46, 48.

It will be apparent to the skilled person that important for the method according to the invention is only that the second portion of the fastening member and the topsheet are caused to effect a change in shape to thereby cause the hook members to better engage the material of the topsheet or any other surface of the article which the fastening member is intended to engage in its storage position. In this respect, it will be apparent that the necessary relative displacement of the parts passing through the station 42 may be effected by using a single roller, either male or female, cooperating with a stationary member. Indeed, it is feasible that a suitable relative displacement could be achieved without recourse to rollers by employing a suitably curved projecting plate over which the second portion of the fastening member is made to travel, thereby causing the tips of at least certain of the hook members to spread apart.

35

A further embodiment of apparatus suitable for effecting the relative displacement of the second portion of the fastening member and the material which it contacts is illustrated in Figs. 17 and 18 and generally comprises a continuous belt 60 which passes through an upwardly open channel 62 in a folding block 64 mounted on the production line table. The belt 60 serves the same function as the male roller 46 in the previously described embodiment, whilst the channel 62 mimics the function of the female roller 48. The folding block 64 has a sloping upstream surface 66 along which the second portion of the fastening member and associated portion of the laminate material run before being drawn into the channel 62 by the belt 60. During passage through the channel 62, the second portion of the fastening member and the laminate material are caused to effect relative displacement to thereby cause the hook members of the fastening tab to enter and engage the surface material of the topsheet. An outline of the fastening member and laminate material within the channel 62 is denoted by reference numeral 68 in Fig. 18. The folding block 64 is provided with a sloping downstream surface 70 to ensure a smooth exit of the fastening member and material from the channel 62.

The above-described embodiment is particularly suitable for practising the method according to the invention on fastening members which are relatively wide. This is because the second portion of the fastening member is caused to adopt a configuration within the folding block 64 in which it covers almost the entire periphery of the belt 60. This can be compared to the male rollers illustrated in Fig. 12 in which the second portion of the fastening member covers only a semi-circle.

Alternative apparatus for achieving satisfactory relative displacement of the second portion of a relatively wide

fastening member and the surface of the article using rollers is illustrated in Figs. 19 to 22. In Figs. 19 and 20, a pair of male rollers 46 are arranged adjacent each other on a common axis 72. A first one of these rollers cooperates with a first female roller 48 upstream of the male rollers, whilst the second of the pair of male rollers cooperates with a second female roller 48 downstream of the male rollers. As is apparent from Fig. 20, this arrangement ensures that relative displacement between the second portion of a fastening member and the surface of the article which it contacts can be achieved even if the width of the second portion exceeds that of the groove 52 of one of the female rollers 48.

In the apparatus illustrated in Figs. 21 and 22, two pairs of cooperating male and female rollers 46, 48 are employed, with one pair being placed upstream relative the other. As is apparent from Fig. 22, the pairs of rollers are axially offset relative each other so that a width w is created within which relative displacement of the fastening member and the surface of the article is achievable, this width w being greater than the width of the groove 52 of each female roller 48.

Naturally, the present invention is not restricted to the embodiments described above and shown in the drawings, but may instead be varied within the scope of the appended claims. For example, the pair of rollers 46, 48 need not necessarily be arranged along the longitudinal axis of the diaper. It is further conceivable that two female rollers cooperate with one male roller. The shape of the protrusion 50 need not match that of the groove 52. For example, the protrusion 50 may be rounded whilst the groove 52 has a rectangular cross section. Furthermore, the male roller or rollers may be positioned under the female roller or rollers.

CLAIMS:

5

1. A method of maintaining a fastening member (20) of a hook and loop fastener system in a storage position on an article, such as a disposable diaper (10), said fastening member comprising a first portion (22; 122) for permanent attachment to said article (10) and a second portion (26; 126) provided with projecting hook members (30), said hook members (30) of said second portion (26; 126), in said storage position, contacting a surface of said article, said method comprising the steps of

10

attaching said first portion (22; 122) of said fastening member (20) to said article (10), and

15

bringing said hook members (30) of said second portion (26; 126) of said fastening member into contact with said surface of said article to thereby establish a retention force between said second portion and said surface;

20

characterized by

thereafter subjecting said hook members (30) of said second portion (26; 126) and said surface of said article to a relative displacement in a direction substantially parallel to said surface of said article to thereby increase said retention force.

25

2. The method as claimed in claim 1, characterized by causing said second portion (26; 126) of said fastening member (20) and said surface of said article to pass a protrusion (50) to thereby effect said relative displacement.

30

3. The method as claimed in claim 2, characterized in that said protrusion (50) is on a male roller (46).

35

4. The method as claimed in any one of claims 1 to 3, characterized by passing said second portion (26; 126) of said fastening member (20) and said surface of said article (10) through a pair of interengaging rollers (46, 48).

5

5. The method as claimed in claim 4, characterized by said pair of rollers comprising a male roller (46) having a circumferentially extending protrusion (50) and a female roller (48) having a circumferential groove (52).

10

6. The method as claimed in claim 5, characterized by either the protrusion (50) or the groove (52) being lined with a resilient material (54) such as rubber.

15

7. The method as claimed in any one of claims 4 to 6, characterized by passing the second portion (26; 126) of said fastening member (20) and said surface of said article along a guide groove (56) upstream and downstream of said pair of rollers (46, 48).

20

8. The method as claimed in claim 1, characterized by passing said second portion (26; 126) of said fastening member (20) and said surface of said article (10) through an upwardly open channel (62) in a folding block (64).

25

9. The method as claimed in claim 8, characterized by passing a continuous belt (60) along said channel (62) such that said second portion (26; 126) of said fastening member and said surface of said article pass between said belt (60) and walls of said channel (62).

30

10. The method as claimed in any one of the previous claims, characterized in that said article is selected from the group consisting of diapers, sanitary napkins, adult

35

incontinence garments and openable-and-reclosable pant
diapers.

11. The method as claimed in any one of claims 1 to
5 10, characterized in that said fastening member (20) is a
fastening tab, in that said first portion of said member is
a first end portion (122) of said tab for permanent
attachment to said article (10), in that said second
10 portion is a distal end portion (126) of said tab provided
with projecting hook members (30), in that said distal end
portion (126), in a ready position of said fastening tab,
stands free from said article and said distal end portion,
in said storage position, contacts a surface of said
article, said method comprising the steps of

15 attaching said first end portion (122) of said
fastening tab (20) to said article (10),

20 folding said distal end portion (126) of said
fastening tab over said first end portion (122) of the tab
such that said hook members (30) contact said surface of
said article, and

25 thereafter subjecting said distal end portion
(126) and said surface of said article to a relative
displacement in a direction substantially parallel to said
surface of said article.

12. Apparatus for carrying out the method according
to claim 1, said apparatus comprising a second station (40)
at which fastening members (20) are applied to an article
(10) such that hook members (30) on a second portion (26;
30 126) of said fastening member contact a surface of said
article, characterized in that said apparatus further
comprises a third station (42) at which said hook members
(30) of said second portion (26; 126) of said fastening
member and said surface of said article are caused to
35 effect a relative displacement in a direction substantially
parallel to said surface of said article.

13. The apparatus as claimed in claim 12, characterized in that said third station (42) comprises at least one protrusion (50) which effects said relative displacement.

5

14. The apparatus as claimed in claim 12, characterized in that said third station (42) comprises a pair of interengaging rollers, said pair of rollers comprising a male roller (46) having a circumferentially extending protrusion (50) and a female roller (48) having a circumferential groove (52).

10

15. The apparatus as claimed in claim 14, characterized in that either the protrusion (50) or the groove (52) is lined with a resilient material (54) such as rubber.

15

16. The apparatus as claimed in any one of claims 13 to 15, characterized in that said third station (42) further comprises a guide groove (56) upstream and downstream of said protrusion (50).

20

17. The apparatus as claimed in claim 12, characterized in that said station (42) comprises a folding block (64) having an upwardly open channel (62) along which a continuous belt (60) passes, such that said second portion (26; 126) of said fastening member and said surface of said article pass between said belt (60) and walls of said channel (62).

25

30

18. A diaper (10) comprising a liquid impermeable backsheet (12), a liquid permeable topsheet (14) and an absorbent core (16) therebetween, said diaper further comprising a hook and loop fastener system including a pair of fastening members (20), each fastening member having a first portion (22; 122) attached to a first waist portion (24) of the diaper (10) and a second portion (26; 126) from which a plurality of hook members (30) project, characterized in that in a storage position in which said hook members (30) contact a region of a surface of said topsheet (14), said hook members apply a compressive force to said region of said topsheet in a direction substantially parallel to said surface.

15

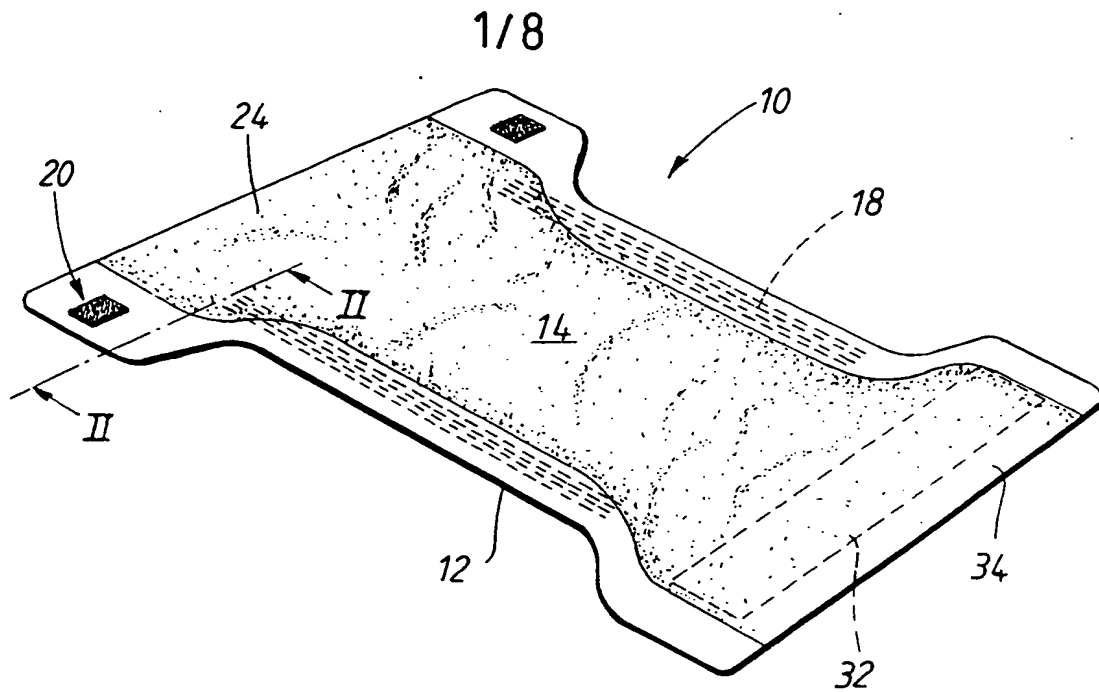


FIG. 1

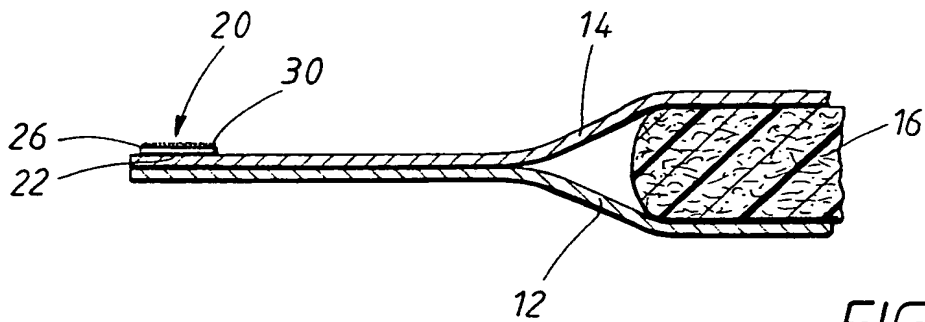


FIG. 2

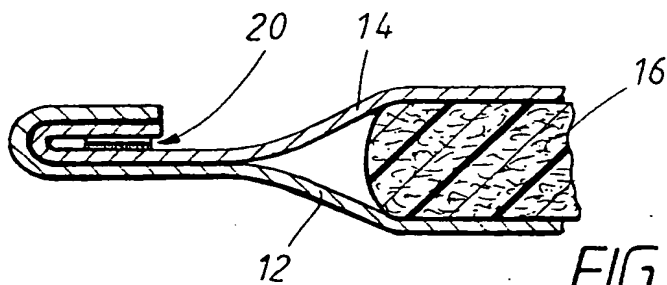


FIG. 3

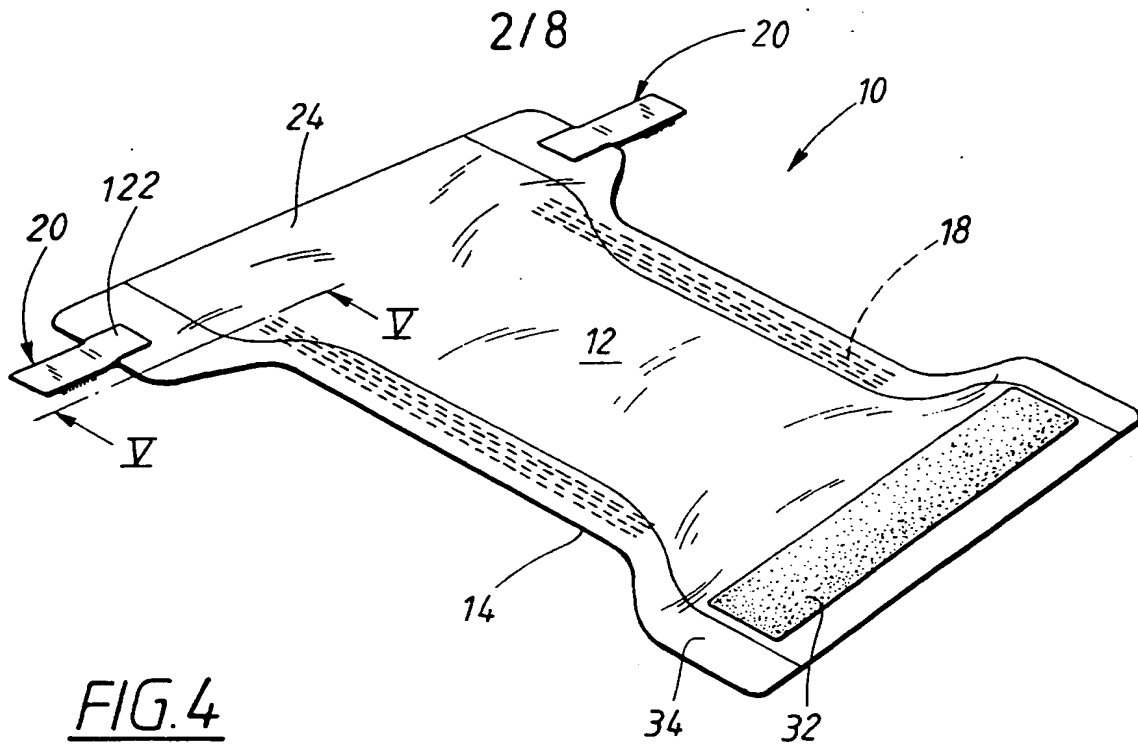


FIG. 4

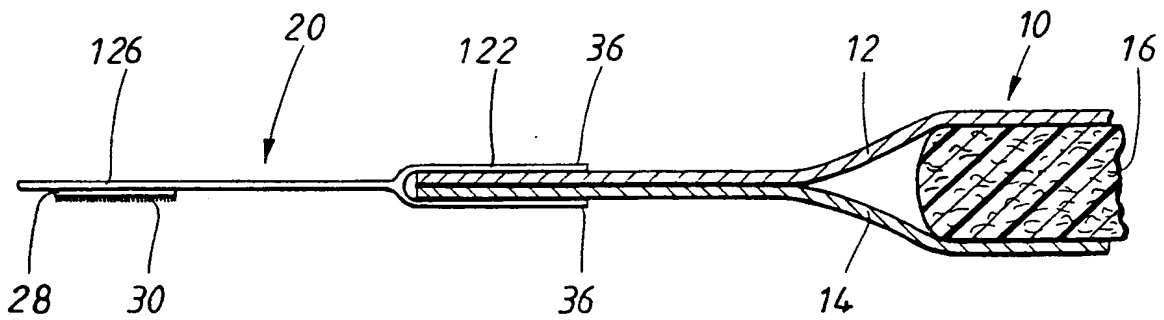


FIG. 5

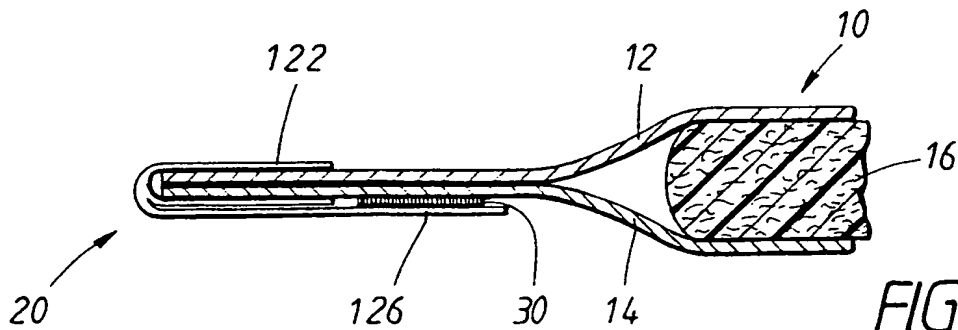


FIG. 6

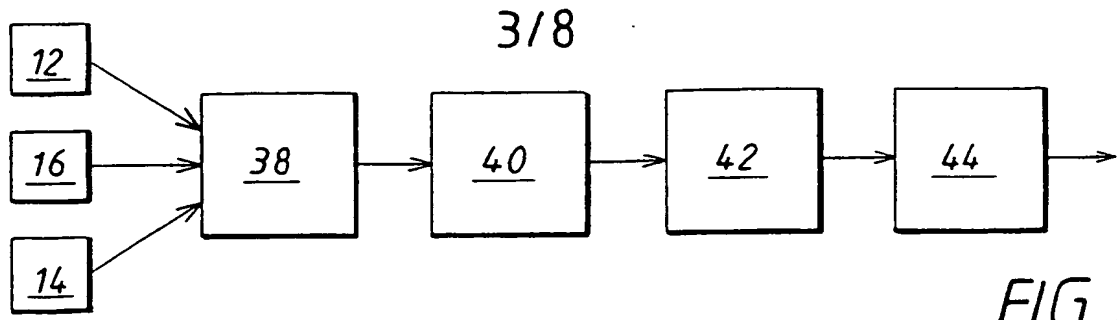


FIG. 7

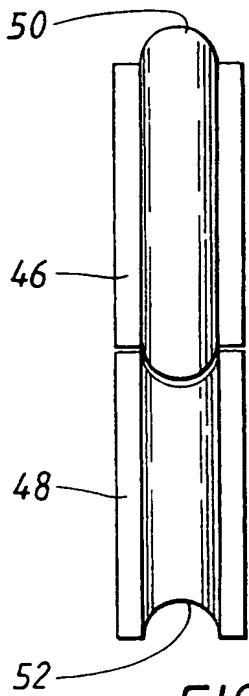


FIG. 8A

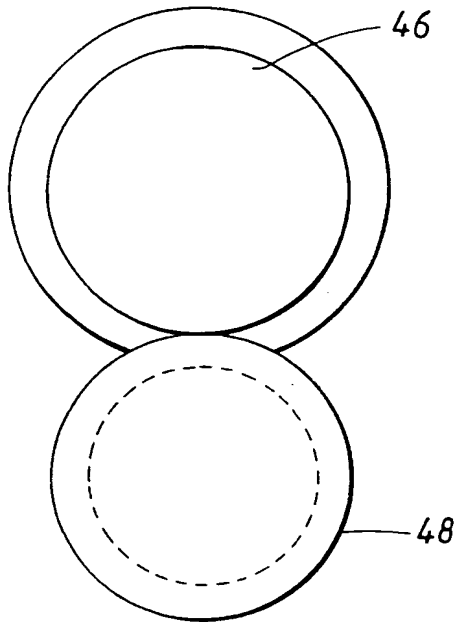


FIG. 8B

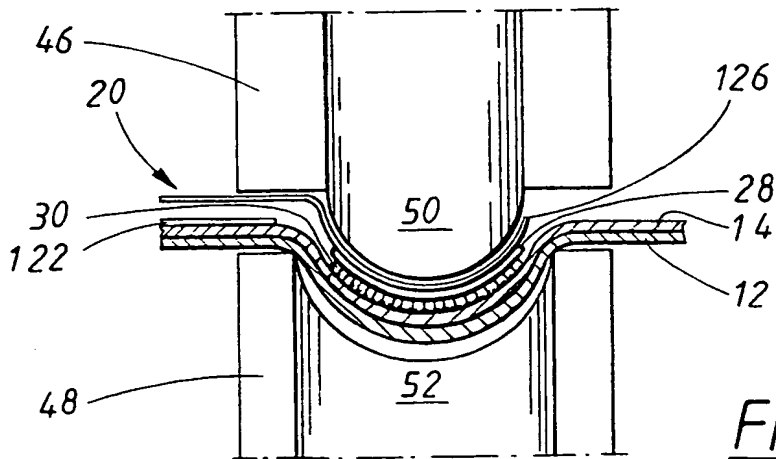


FIG. 9

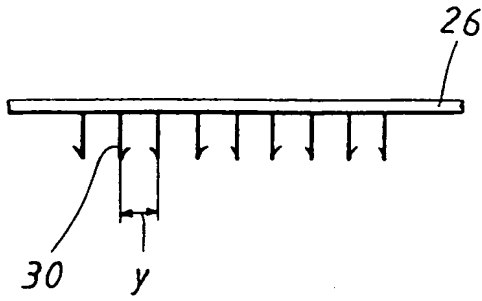


FIG. 10A

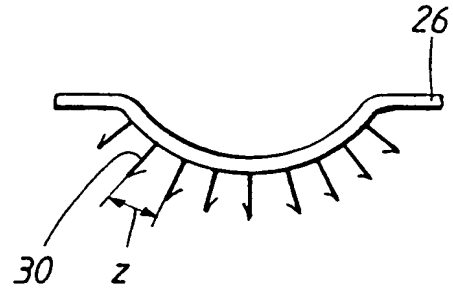


FIG. 10B

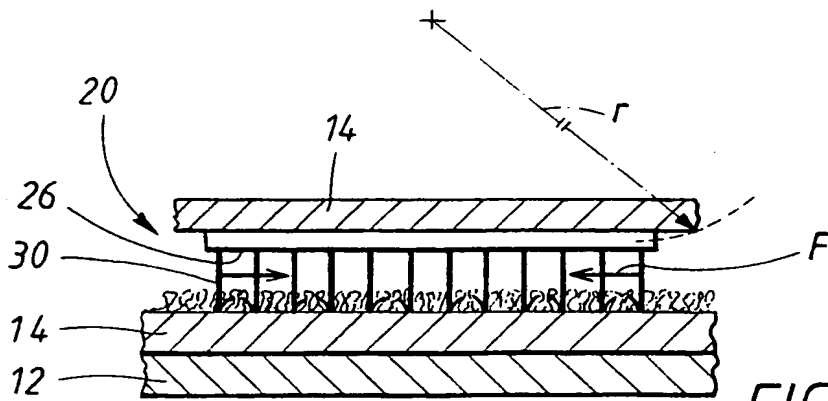
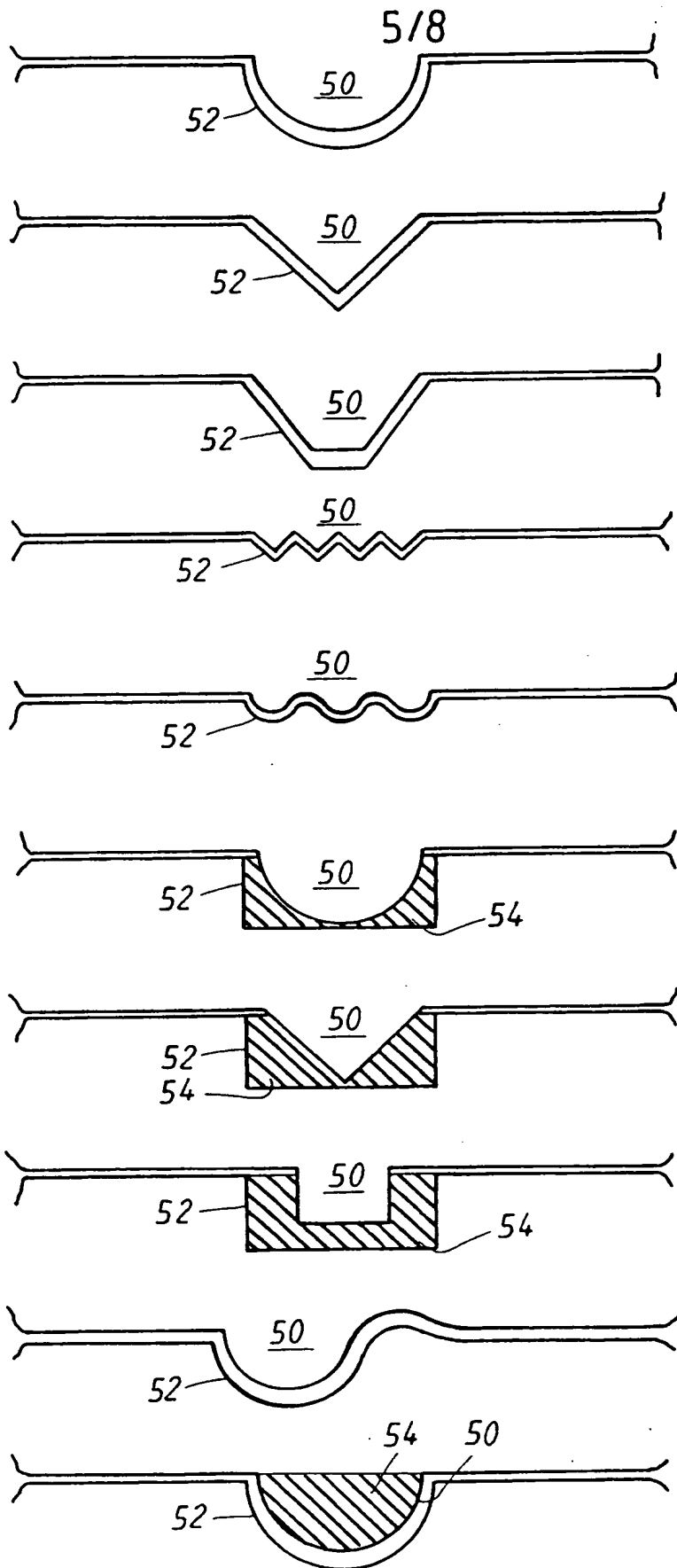


FIG. 11



A

B

C

D

E

F

G

H

I

J

FIG.12

6/8

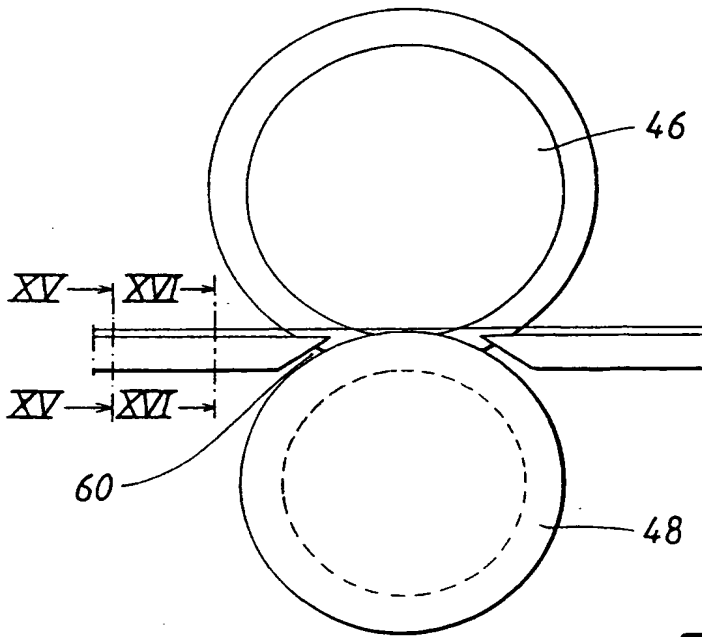


FIG.13

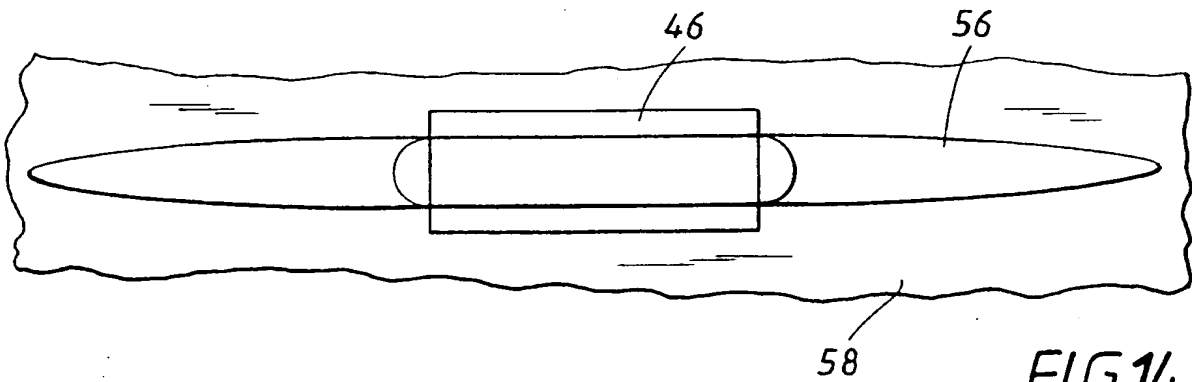


FIG.14

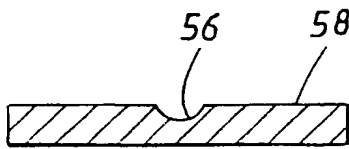


FIG.15

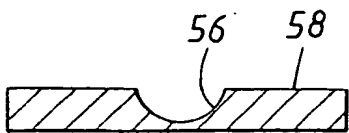


FIG.16

7/8

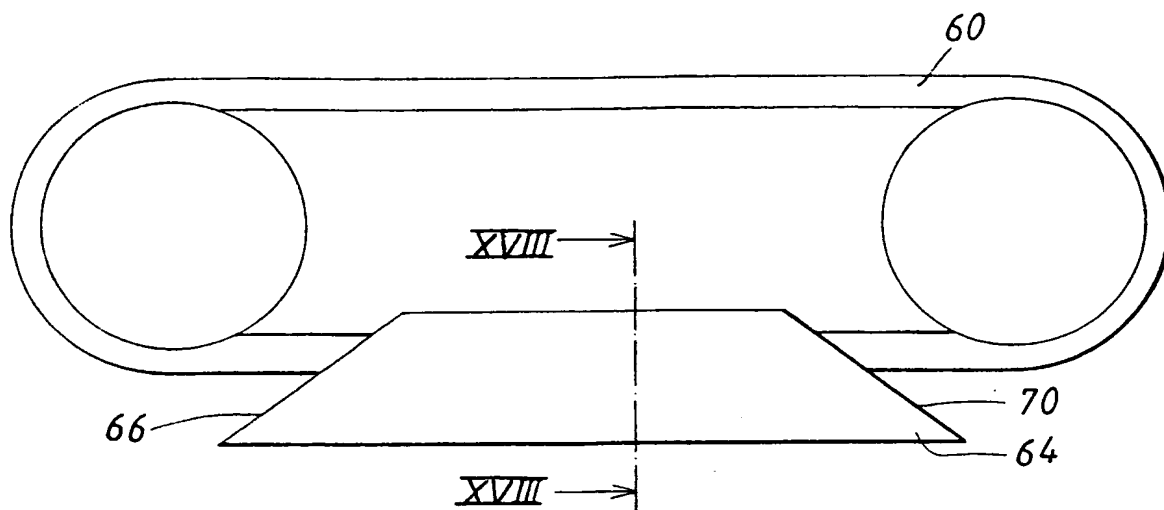


FIG. 17

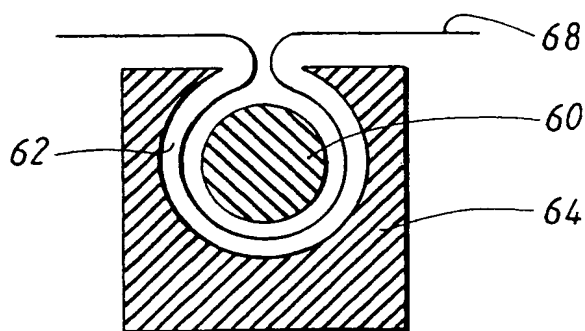


FIG. 18

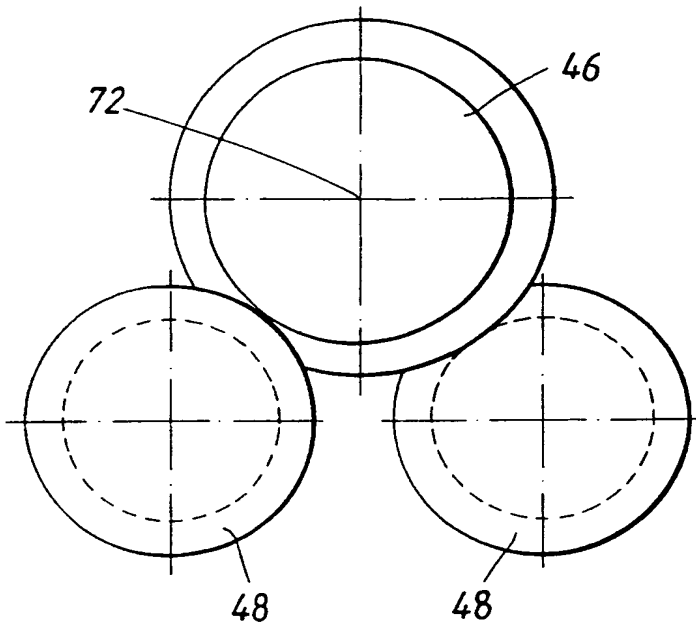


FIG. 19

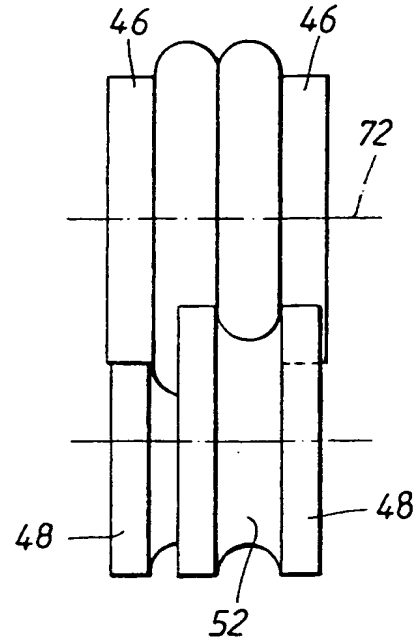


FIG. 20

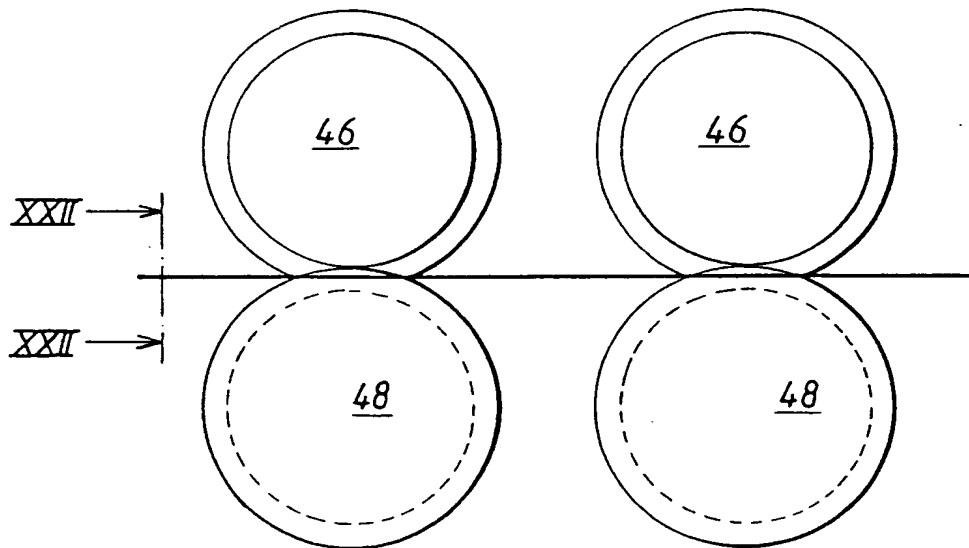


FIG. 21

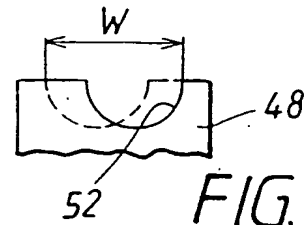


FIG. 22

INTERNATIONAL SEARCH REPORT

International application No.

PCT/SE 97/01622

A. CLASSIFICATION OF SUBJECT MATTER

IPC6: A61F 13/62

According to International Patent Classification (IPC) or to both national classification and IPC

B. FIELDS SEARCHED

Minimum documentation searched (classification system followed by classification symbols)

IPC6: A61F

Documentation searched other than minimum documentation to the extent that such documents are included in the fields searched

SE,DK,FI,NO classes as above

Electronic data base consulted during the international search (name of data base and, where practicable, search terms used)

WPI

C. DOCUMENTS CONSIDERED TO BE RELEVANT

Category*	Citation of document, with indication, where appropriate, of the relevant passages	Relevant to claim No.
A	US 5383872 A (T.H.ROESSLER ET AL.), 24 January 1995 (24.01.95), column 6, line 29 - line 32, figure 6 --	1-18
A	US 4973326 A (L.E.WOOD ET AL), 27 November 1990 (27.11.90), column 5, line 49 - line 59, figure 1 --	1-18
A	EP 0324578 A (MINNESOTA MINING AND MANUFACTURING CO.), 19 July 1989 (19.07.89), column 4, line 29 - line 49, figures 1,2 --	1-18
A	GB 2257895 A (KIMBERLY-CLARK CO.), 27 January 1993 (27.01.93), page 16, line 17 - line 25, figure 6 --	1-18

 Further documents are listed in the continuation of Box C.
 See patent family annex.

* Special categories of cited documents:

"A" document defining the general state of the art which is not considered to be of particular relevance

"E" earlier document but published on or after the international filing date

"L" document which may throw doubts on priority claim(s) or which is cited to establish the publication date of another citation or other special reason (as specified)

"O" document referring to an oral disclosure, use, exhibition or other means

"P" document published prior to the international filing date but later than the priority date claimed

"T" later document published after the international filing date or priority date and not in conflict with the application but cited to understand the principle or theory underlying the invention

"X" document of particular relevance: the claimed invention cannot be considered novel or cannot be considered to involve an inventive step when the document is taken alone

"Y" document of particular relevance: the claimed invention cannot be considered to involve an inventive step when the document is combined with one or more other such documents, such combination being obvious to a person skilled in the art

"&" document member of the same patent family

Date of the actual completion of the international search

12 January 1998

Date of mailing of the international search report

29 -01- 1998

Name and mailing address of the ISA/

Swedish Patent Office

Box 5055, S-102 42 STOCKHOLM

Facsimile No. +46 8 666 02 86

Authorized officer

Tommy Somlo

Telephone No. +46 8 782 25 00

INTERNATIONAL SEARCH REPORT
Information on patent family members

02/12/97

International application No.

PCT/SE 97/01622

Patent document cited in search report	Publication date	Patent family member(s)	Publication date
US 5383872 A	24/01/95	US 5176670 A	05/01/93
		GB 2233876 A,B	23/01/91
		GB 2257895 A,B	27/01/93
		US 5019073 A	28/05/91

US 4973326 A	27/11/90	AU 2515288 A	01/06/89
		CA 1309210 A	27/10/92
		DE 3868596 A	02/04/92
		EP 0319249 A,B	07/06/89
		SE 0319249 T3	
		IE 61542 B	16/11/94
		IN 172227 A	08/05/93
		JP 1168901 A	04/07/89
		KR 9709554 B	14/06/97

EP 0324578 A	19/07/89	SE 0324578 T3	
		AU 2772189 A	13/07/89
		DE 68907413 T	05/01/94
		JP 2005946 A	10/01/90
		KR 9709556 B	14/06/97
		MX 170875 B	21/09/93
		US 5053028 A	01/10/91

GB 2257895 A	27/01/93	GB 2233876 A,B	23/01/91
		US 5019073 A	28/05/91
		US 5176670 A	05/01/93
		US 5383872 A	24/01/95

PATENT COOPERATION TREATY

PCT

INTERNATIONAL SEARCH REPORT

(PCT Article 18 and Rules 43 and 44)

Applicant's or agent's file reference 15905	FOR FURTHER ACTION see Notification of Transmittal of International Search Report (Form PCT/ISA/220) as well as, where applicable, item 5 below.	
International application No. PCT/US 03/ 11793	International filing date (day/month/year) 15/04/2003	(Earliest) Priority Date (day/month/year) 30/05/2002
Applicant KIMBERLY-CLARK WORLDWIDE INC.		

This International Search Report has been prepared by this International Searching Authority and is transmitted to the applicant according to Article 18. A copy is being transmitted to the International Bureau.

This International Search Report consists of a total of 4 sheets.

It is also accompanied by a copy of each prior art document cited in this report.

1. Basis of the report

a. With regard to the **language**, the international search was carried out on the basis of the international application in the language in which it was filed, unless otherwise indicated under this item.

the international search was carried out on the basis of a translation of the international application furnished to this Authority (Rule 23.1(b)).

b. With regard to any **nucleotide and/or amino acid sequence** disclosed in the international application, the international search was carried out on the basis of the sequence listing :

contained in the international application in written form.

filed together with the international application in computer readable form.

furnished subsequently to this Authority in written form.

furnished subsequently to this Authority in computer readable form.

the statement that the subsequently furnished written sequence listing does not go beyond the disclosure in the international application as filed has been furnished.

the statement that the information recorded in computer readable form is identical to the written sequence listing has been furnished

2. **Certain claims were found unsearchable** (See Box I).

3. **Unity of invention is lacking** (see Box II).

4. With regard to the **title**,

the text is approved as submitted by the applicant.

the text has been established by this Authority to read as follows:

5. With regard to the **abstract**,

the text is approved as submitted by the applicant.

the text has been established, according to Rule 38.2(b), by this Authority as it appears in Box III. The applicant may, within one month from the date of mailing of this international search report, submit comments to this Authority.

6. The figure of the **drawings** to be published with the abstract is Figure No.

26

as suggested by the applicant.

None of the figures.

because the applicant failed to suggest a figure.

because this figure better characterizes the invention.

INTERNATIONAL SEARCH REPORT

International Application No

PCT/US 03/11793

A. CLASSIFICATION OF SUBJECT MATTER

IPC 7 A61F13/56 A61F13/62 A61F13/15

According to International Patent Classification (IPC) or to both national classification and IPC

B. FIELDS SEARCHED

Minimum documentation searched (classification system followed by classification symbols)

IPC 7 A61F

Documentation searched other than minimum documentation to the extent that such documents are included in the fields searched

Electronic data base consulted during the international search (name of data base and, where practical, search terms used)

EPO-Internal, WPI Data, PAJ

C. DOCUMENTS CONSIDERED TO BE RELEVANT

Category °	Citation of document, with indication, where appropriate, of the relevant passages	Relevant to claim No.
X	WO 98 15248 A (PFEIFER ROLAND ;MOELNLYCKE AB (SE); LINDQVIST BENGT (SE)) 16 April 1998 (1998-04-16) claims 1,10,12 figures 3,6,7,9-11,13,21 page 1, line 10 - line 12 page 7, line 9 - line 10 page 9, line 1 - line 14 page 10, line 25 - line 29 page 11, line 12 - line 34 page 12, line 12 - line 19 page 12, line 34 -page 13, line 22 page 14, line 1 - line 19 --- -/--	1-8, 20-30, 33-36

Further documents are listed in the continuation of box C.

Patent family members are listed in annex.

° Special categories of cited documents :

- *A* document defining the general state of the art which is not considered to be of particular relevance
- *E* earlier document but published on or after the international filing date
- *L* document which may throw doubts on priority claim(s) or which is cited to establish the publication date of another citation or other special reason (as specified)
- *O* document referring to an oral disclosure, use, exhibition or other means
- *P* document published prior to the international filing date but later than the priority date claimed

- *T* later document published after the international filing date or priority date and not in conflict with the application but cited to understand the principle or theory underlying the invention
- *X* document of particular relevance; the claimed invention cannot be considered novel or cannot be considered to involve an inventive step when the document is taken alone
- *Y* document of particular relevance; the claimed invention cannot be considered to involve an inventive step when the document is combined with one or more other such documents, such combination being obvious to a person skilled in the art.
- *8* document member of the same patent family

Date of the actual completion of the international search

21 August 2003

Date of mailing of the international search report

01/09/2003

Name and mailing address of the ISA

European Patent Office, P.B. 5818 Patentlaan 2
 NL - 2280 HV Rijswijk
 Tel. (+31-70) 340-2040, Tx. 31 651 epo nl,
 Fax: (+31-70) 340-3016

Authorized officer

Settele, U

C.(Continuation) DOCUMENTS CONSIDERED TO BE RELEVANT

Category *	Citation of document, with indication, where appropriate, of the relevant passages	Relevant to claim No.
X	US 5 961 761 A (HEINDEL TIMOTHY RAYMOND ET AL) 5 October 1999 (1999-10-05) claims 1-4 figures 3,8-10 column 1, line 16 column 2, line 16 - line 25 column 6, line 50 - line 54 column 8, line 5 - line 17 column 9, line 55 - line 60 column 10, line 23 - line 29 ---	1-8, 20-30, 33-36
X	US 5 855 574 A (WIDLUND URBAN ET AL) 5 January 1999 (1999-01-05) claims 1,10,15 figures 2,9 column 1, line 22 column 2, line 28 - line 34 column 4, line 10 - line 31 column 5, line 42 - line 46 column 5, line 62 - line 65 column 6, line 10 - line 38 column 6, line 56 - line 65 ---	1-5,22, 27,28
X	US 2002/002358 A1 (CLEMENS DAVID MICHAEL ET AL) 3 January 2002 (2002-01-03) claim 1; figure 4 page 1 -page 2 ---	1-5,22, 27,28
X	WO 01 87210 A (KIMBERLY CLARK CO) 22 November 2001 (2001-11-22) page 1, line 1 - line 3 page 2, line 13 - line 17 page 4, line 15 - line 26 page 5, line 1 page 16, line 33 - line 35 page 27, line 22 - line 24 -----	1-5,22, 27,28

INTERNATIONAL SEARCH REPORT

Information on patent family members

International Application No

PCT/US 03/11793

Patent document cited in search report	Publication date	Patent family member(s)	Publication date
WO 9815248	A	16-04-1998	SE 507941 C2 03-08-1998
			AT 219347 T 15-07-2002
			DE 69713516 D1 25-07-2002
			DE 69713516 T2 13-02-2003
			DK 942701 T3 14-10-2002
			EP 0942701 A1 22-09-1999
			PL 332623 A1 27-09-1999
			SE 9603639 A 08-04-1998
			WO 9815248 A1 16-04-1998
			US 6458115 B1 01-10-2002
US 5961761	A	05-10-1999	US 6428526 B1 06-08-2002
US 5855574	A	05-01-1999	SE 508613 C2 19-10-1998
			AU 696255 B2 03-09-1998
			AU 2271395 A 30-10-1995
			CA 2187021 A1 19-10-1995
			CN 1146145 A ,B 26-03-1997
			CZ 9602994 A3 12-02-1997
			EP 0755237 A1 29-01-1997
			FI 964085 A 11-10-1996
			GB 2288313 A ,B 18-10-1995
			HU 77677 A2 28-07-1998
			IL 112986 A 14-07-1999
			JP 9511426 T 18-11-1997
			NO 964283 A 09-10-1996
			NZ 284182 A 19-12-1997
			PL 316681 A1 03-02-1997
			SE 9401226 A 13-10-1995
			WO 9527461 A1 19-10-1995
SK 130996 A3 06-08-1997			
ZA 9502490 A 15-12-1995			
US 2002002358	A1	03-01-2002	AU 6165601 A 26-11-2001
			EP 1289460 A2 12-03-2003
			WO 0187217 A2 22-11-2001
WO 0187210	A	22-11-2001	US 2002055430 A1 09-05-2002
			AU 6320301 A 26-11-2001
			AU 6320401 A 26-11-2001
			AU 6320501 A 26-11-2001
			EP 1289466 A1 12-03-2003
			EP 1289468 A2 12-03-2003
			EP 1284700 A2 26-02-2003
			WO 0187210 A1 22-11-2001
			WO 0187211 A2 22-11-2001
			WO 0187753 A2 22-11-2001
			US 2003114829 A1 19-06-2003
			US 2002003022 A1 10-01-2002
US 2002000291 A1 03-01-2002			